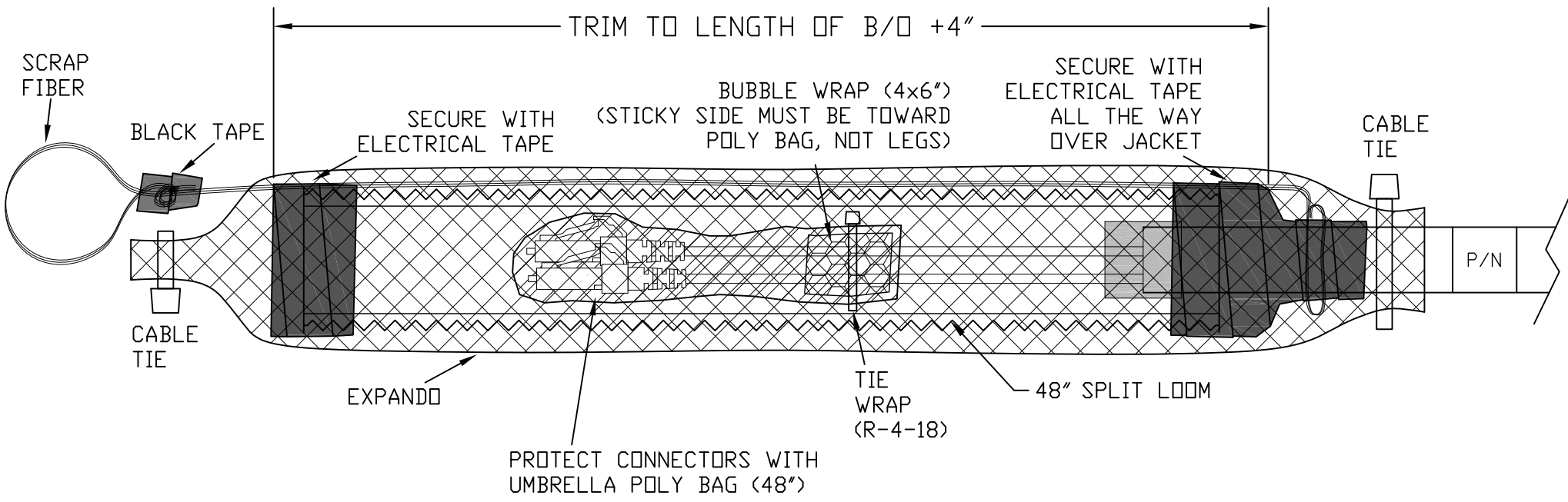




# P1 WITH SPLIT LOOM INSTALLED: 12 TYPICAL:

**SPLIT LOOM MUST NOT MOVE  
FREELY ON CABLE**



**\*\*\* ILLUSTRATION IS FOR REFERENCE. CONNECTOR TYPE/COUNT/STAGGER MAY VARY \*\*\***

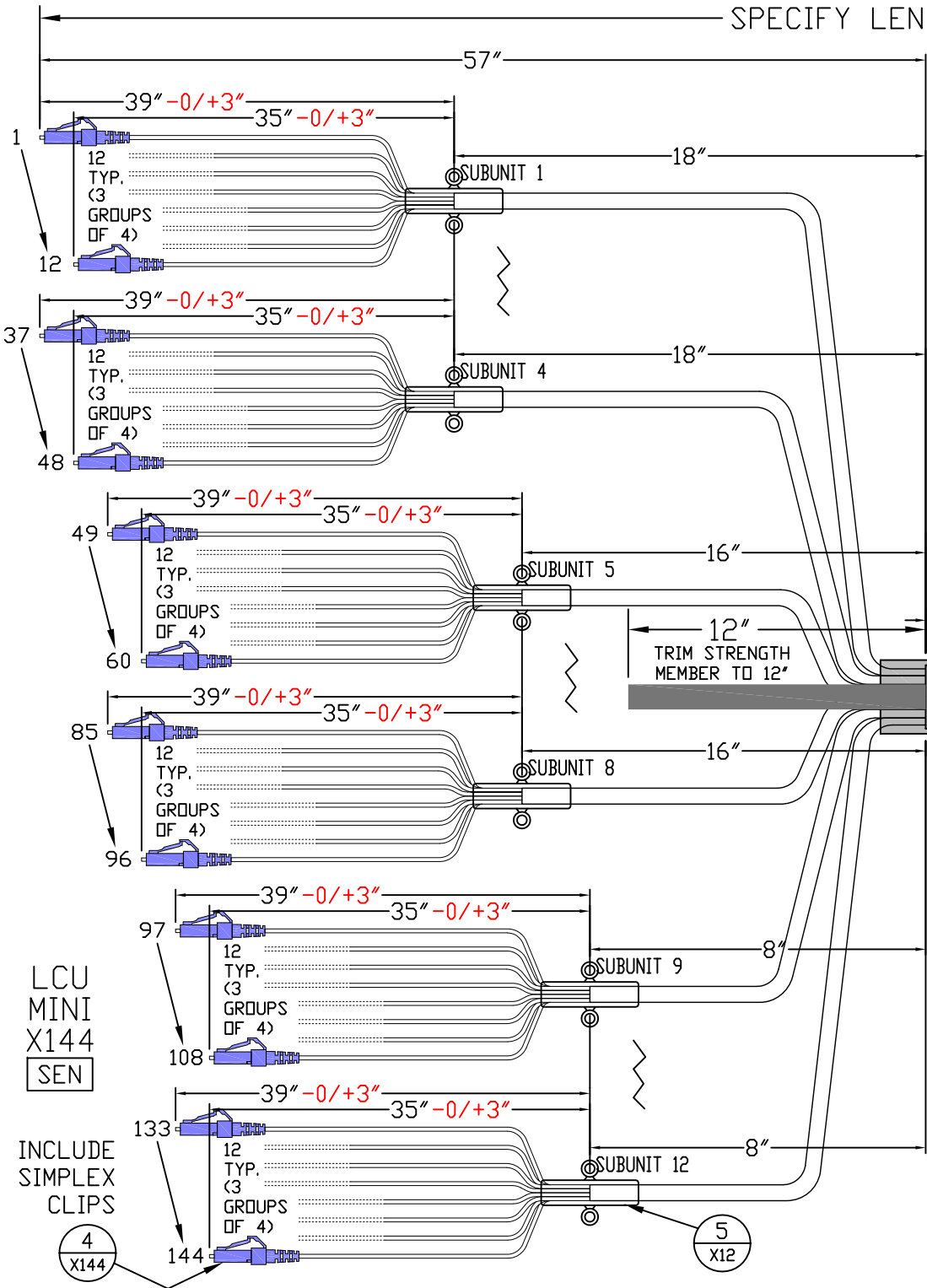
THIS DRAWING MAY CONTAIN PATENTED OR PROPRIETARY INFORMATION AND MUST NOT BE USED FOR ANY PURPOSE DETRIMENTAL TO CUSTOM CABLE INDUSTRIES, INC. IT MAY NOT BE REPRODUCED OR TRANSCRIBED IN ANY FORM WITHOUT THE WRITTEN CONSENT OF CUSTOM CABLE INDUSTRIES, INC. ACCEPTANCE OF THIS DRAWING ESTABLISHES AN AGREEMENT OF THE FOREGOING.

Drawn	B. Baylor	10	20	14
Checked		08	20	15
Approved				

Part No.	94476-XXX-UM-995	
DRAWING IS NOT TO SCALE	Rev. A	Sheet 2 of 6

SPECIFY LENGTH

SEE NEXT PAGE FOR P2



P1=OUTSIDE END (OSE)  
 PREP SUBUNITS 1-4 JACKET BUTT TO 61 INCHES  
 PREP SUBUNITS 5-8 JACKET BUTT TO 59 INCHES  
 PREP SUBUNITS 9-12 JACKET BUTT TO 51 INCHES  
 PREP SUBUNITS TO 43 INCHES

P1			
SUB UNITS	SUBUNIT LEG	250µm COLOR	FANOUT LEG LENGTH ±1/8"
1 thru 12	1	BLU	42"
	2	ORG	42"
	3	GRN	42"
	4	BRN	42"
	5	SLT	40"
	6	WHT	40"
	7	RED	40"
	8	BLK	40"
	9	YEL	38"
	10	VID	38"
	11	RDS	38"
	12	AQU	38"

LCU MINI X144 SEN

INCLUDE SIMPLEX CLIPS

ALL LEGS AND SUBUNITS NOT SHOWN

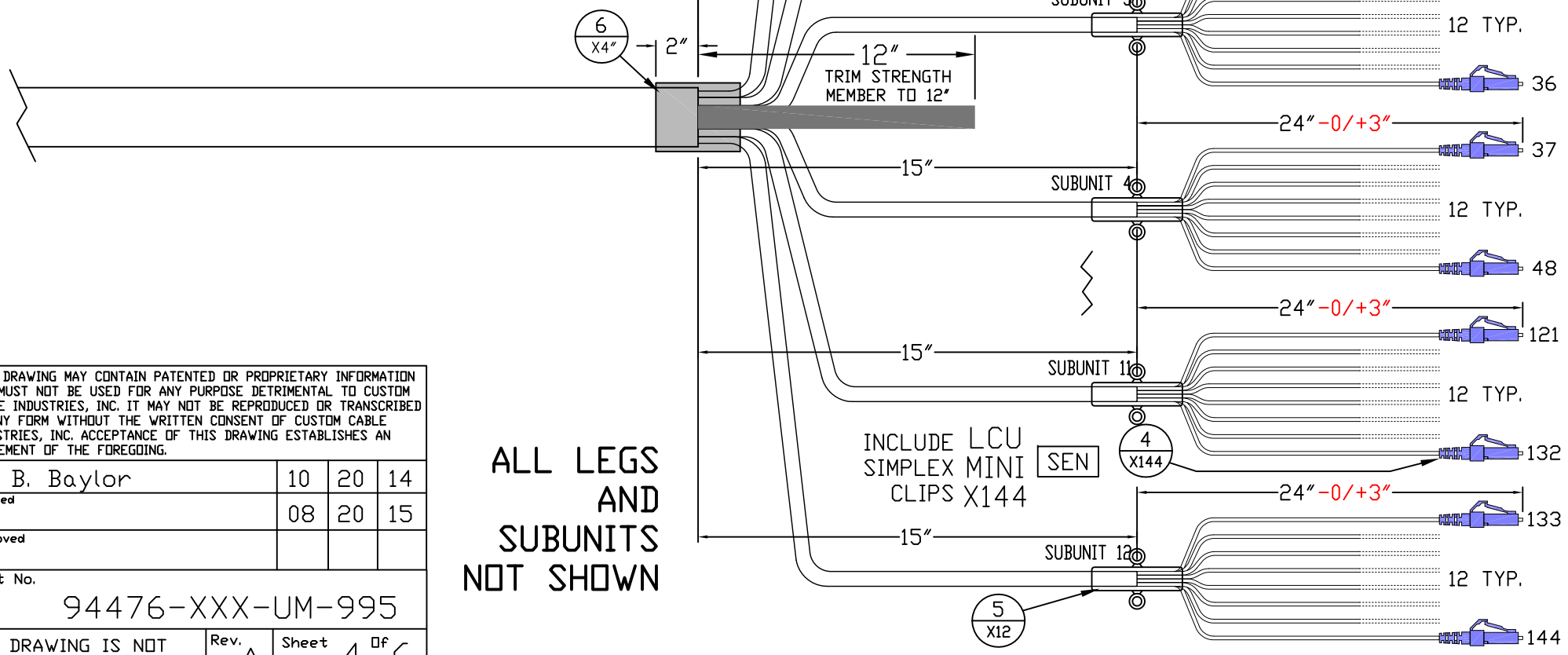
THIS DRAWING MAY CONTAIN PATENTED OR PROPRIETARY INFORMATION AND MUST NOT BE USED FOR ANY PURPOSE DETRIMENTAL TO CUSTOM CABLE INDUSTRIES, INC. IT MAY NOT BE REPRODUCED OR TRANSCRIBED IN ANY FORM WITHOUT THE WRITTEN CONSENT OF CUSTOM CABLE INDUSTRIES, INC. ACCEPTANCE OF THIS DRAWING ESTABLISHES AN AGREEMENT OF THE FOREGOING.

Drawn	B. Baylor	10	20	14
Checked		08	20	15
Approved				
Part No.	94476-XXX-UM-995			
DRAWING IS NOT TO SCALE	Rev. A	Sheet	3 of 6	

← SEE PREVIOUS PAGE FOR P1 → SPECIFY LENGTH →

P2			
SUB UNITS	SUBUNIT LEG	250µm COLOR	FANOUT LEG LENGTH ±1/8"
1 thru 12	1	BLU	27"
	2	DRG	27"
	3	GRN	27"
	4	BRN	27"
	5	SLT	27"
	6	WHT	27"
	7	RED	27"
	8	BLK	27"
	9	YEL	27"
	10	VIO	27"
	11	RDS	27"
	12	AQU	27"

INSIDE END=P2  
 PREP JACKET BUTT TO 43 INCHES  
 PREP SUBUNITS TO 28 INCHES



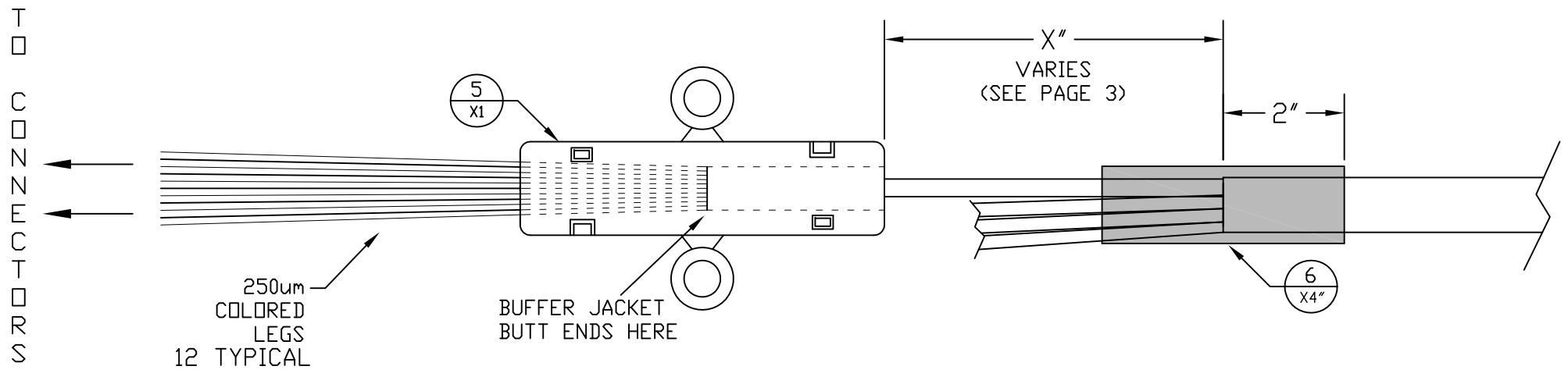
ALL LEGS AND SUBUNITS NOT SHOWN

INCLUDE LCU SIMPLEX MINI CLIPS X144

THIS DRAWING MAY CONTAIN PATENTED OR PROPRIETARY INFORMATION AND MUST NOT BE USED FOR ANY PURPOSE DETRIMENTAL TO CUSTOM CABLE INDUSTRIES, INC. IT MAY NOT BE REPRODUCED OR TRANSCRIBED IN ANY FORM WITHOUT THE WRITTEN CONSENT OF CUSTOM CABLE INDUSTRIES, INC. ACCEPTANCE OF THIS DRAWING ESTABLISHES AN AGREEMENT OF THE FOREGOING.

Drawn	B. Baylor	10	20	14
Checked		08	20	15
Approved				
Part No.	94476-XXX-UM-995			
DRAWING IS NOT TO SCALE	Rev. A	Sheet 4	of 6	

# P1 FANOUT DETAIL: 12 TYPICAL:



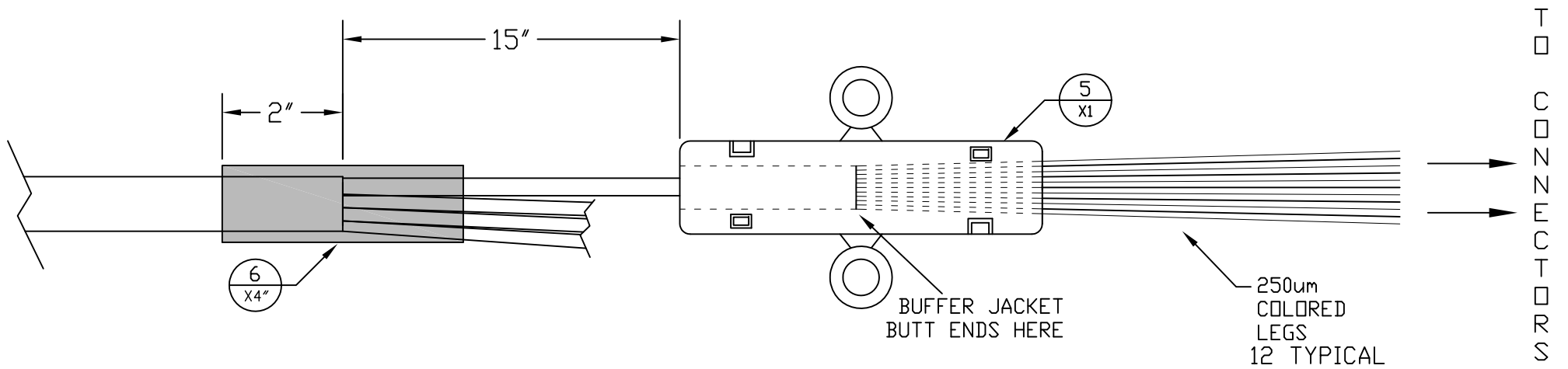
\*\*\* ILLUSTRATION IS FOR REFERENCE- ONLY ONE FANOUT SHOWN \*\*\*

THIS DRAWING MAY CONTAIN PATENTED OR PROPRIETARY INFORMATION AND MUST NOT BE USED FOR ANY PURPOSE DETRIMENTAL TO CUSTOM CABLE INDUSTRIES, INC. IT MAY NOT BE REPRODUCED OR TRANSCRIBED IN ANY FORM WITHOUT THE WRITTEN CONSENT OF CUSTOM CABLE INDUSTRIES, INC. ACCEPTANCE OF THIS DRAWING ESTABLISHES AN AGREEMENT OF THE FOREGOING.

Drawn	B. Baylor	10	20	14
Checked		08	20	15
Approved				

Part No.	94476-XXX-UM-995	
DRAWING IS NOT TO SCALE	Rev. A	Sheet 5 of 6

# P2 FANOUT DETAIL: 12 TYPICAL:



\*\*\* ILLUSTRATION IS FOR REFERENCE- ONLY ONE FANOUT SHOWN \*\*\*

THIS DRAWING MAY CONTAIN PATENTED OR PROPRIETARY INFORMATION AND MUST NOT BE USED FOR ANY PURPOSE DETRIMENTAL TO CUSTOM CABLE INDUSTRIES, INC. IT MAY NOT BE REPRODUCED OR TRANSCRIBED IN ANY FORM WITHOUT THE WRITTEN CONSENT OF CUSTOM CABLE INDUSTRIES, INC. ACCEPTANCE OF THIS DRAWING ESTABLISHES AN AGREEMENT OF THE FOREGOING.

Drawn	B. Baylor	10	20	14
Checked		08	20	15
Approved				

Part No.	94476-XXX-UM-995		
DRAWING IS NOT TO SCALE	Rev. A	Sheet 6	of 6